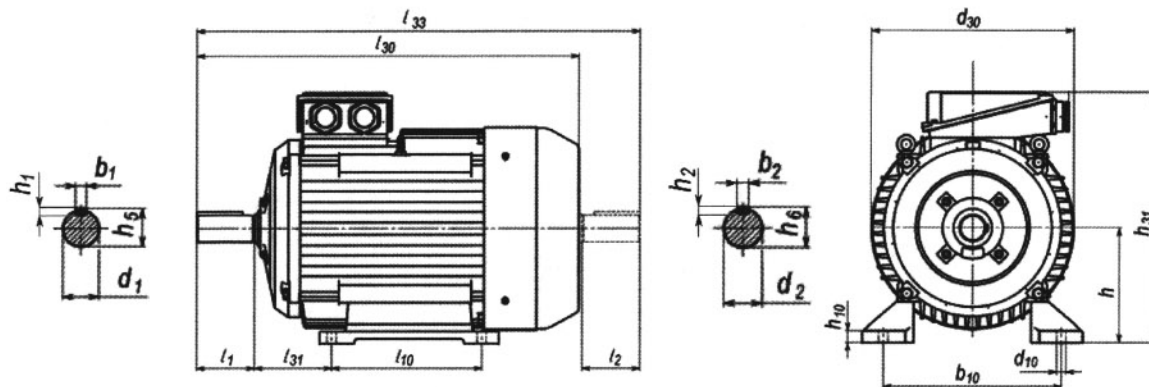


ЭЛЕКТРОДВИГАТЕЛИ ОБЩЕПРОМЫШЛЕННЫЕ

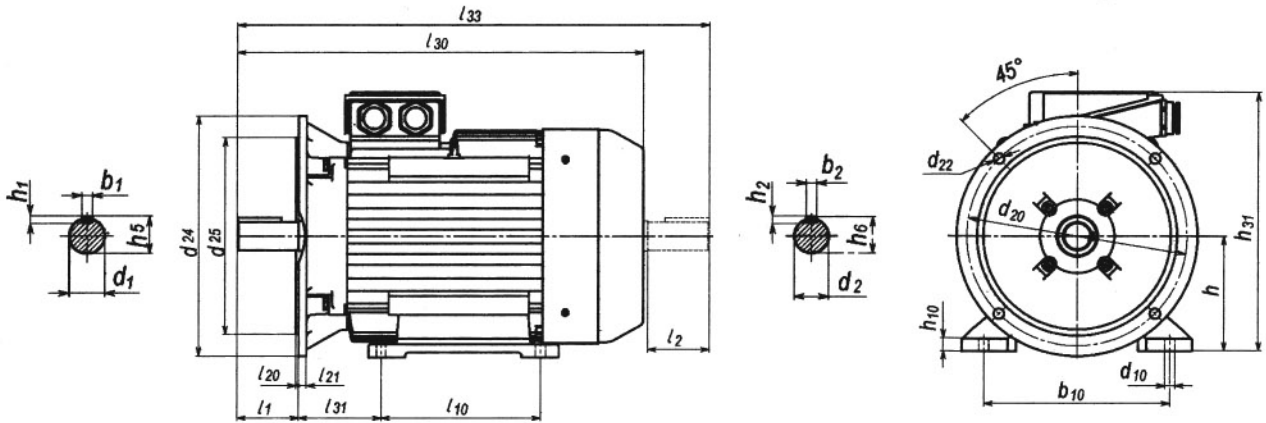
Монтажное исполнение IM 10...1, 10...2



Габаритные, установочные и присоединительные размеры двигателей основного исполнения

| Тип | Число полюсов | <i>l30</i> | <i>l33</i> | <i>h31</i> | <i>d30</i> | <i>l1</i> | <i>l2</i> | <i>l10</i> | <i>l31</i> | <i>b1</i> | <i>b2</i> | <i>b10</i> | <i>h</i> | <i>h5</i> | <i>h6</i> | <i>h10</i> | <i>d1</i> | <i>d2</i> | <i>d10</i> |
|-----------|---------------|------------|------------|------------|------------|-----------|-----------|------------|------------|-----------|-----------|------------|----------|-----------|-----------|------------|-----------|-----------|------------|
| | | L | LC | HD | AC | E | EA | B | C | F | FA | A | H | GA | GC | HA | D | DA | K |
| АИР 50 | 2, 4 | 178 | | 130 | 107 | 20 | | 63 | 32 | 3 | | 80 | 50 | 10,2 | | 6 | 9 | | 5,8 |
| АИР 56 | 2, 4 | 218 | 234 | 148 | 127 | 23 | 23 | 71 | 36 | 4 | 4 | 90 | 56 | 12,5 | 12,5 | 7 | 11 | 11 | 5,8 |
| АИР 63 | 2, 4 | 237 | 263 | 161 | 142 | 30 | 30 | 80 | 40 | 5 | 5 | 100 | 63 | 16 | 16 | 8 | 14 | 14 | 7 |
| АИР 71 | 2, 4, 6 | 273 | 317 | 188 | 160 | 40 | 40 | 90 | 45 | 6 | 6 | 112 | 71 | 21,5 | 21,5 | 8 | 19 | 19 | 7 |
| АИР 80 А | 2, 4, 6, 8 | 297 | 350 | 205 | 180 | 50 | 50 | 100 | 50 | 6 | 6 | 125 | 80 | 24,5 | 24,5 | 9 | 22 | 22 | 10(12) |
| АИР 80 В | 2, 4, 6, 8 | 321 | 374 | 205 | 180 | 50 | 50 | 100 | 50 | 6 | 6 | 125 | 80 | 24,5 | 24,5 | 9 | 22 | 22 | 10(12) |
| АИР 90 L | 2, 4, 6, 8 | 337 | 390 | 230 | 200 | 50 | 50 | 125 | 56 | 8 | 8 | 140 | 90 | 27 | 27 | 10 | 24 | 24 | 10(12) |
| АИР 100 S | 2, 4 | 347 | 410 | 240 | 200 | 60 | 60 | 112 | 63 | 8 | 8 | 160 | 100 | 31 | 31 | 12 | 28 | 28 | 12(16) |
| АИР 100 L | 2, 4, 6, 8 | 367 | 430 | 240 | 200 | 60 | 60 | 140 | 63 | 8 | 8 | 160 | 100 | 31 | 31 | 12 | 28 | 28 | 12(16) |
| АИР 112 | 2, 4, 6, 8 | 480 | 563 | 285 | 246 | 80 | 80 | 140 | 70 | 10 | 10 | 190 | 112 | 35 | 35 | 14 | 32 | 32 | 12 |
| АИР 132 S | 4, 6, 8 | 460 | 546 | 325 | 288 | 80 | 80 | 140 | 89 | 10 | 10 | 216 | 132 | 41 | 41 | 16 | 38 | 38 | 12 |
| АИР 132 M | 2, 4, 6, 8 | 498 | 584 | 325 | 288 | 80 | 80 | 178 | 89 | 10 | 10 | 216 | 132 | 41 | 41 | 16 | 38 | 38 | 12 |
| АИР 160 S | 2 | 670 | 785 | 404 | 335 | 110 | 110 | 178 | 108 | 12 | 12 | 254 | 160 | 45 | 45 | 20 | 42 | 42 | 15 |
| | 4, 6, 8 | 670 | 785 | 404 | 335 | 110 | 110 | 178 | 108 | 14 | 12 | 254 | 160 | 51,5 | 45 | 20 | 48 | 42 | 15 |
| АИР 160 M | 2 | 700 | 815 | 404 | 335 | 110 | 110 | 210 | 108 | 12 | 12 | 254 | 160 | 45 | 45 | 20 | 42 | 42 | 15 |
| | 4, 6, 8 | 700 | 815 | 404 | 335 | 110 | 110 | 210 | 108 | 14 | 12 | 254 | 160 | 51,5 | 45 | 20 | 48 | 42 | 15 |
| АИР 180 S | 2 | 630 | 744 | 441 | 375 | 110 | 110 | 203 | 121 | 14 | 14 | 279 | 180 | 51,5 | 51,5 | 20 | 48 | 48 | 15 |
| | 4 | 630 | 744 | 441 | 375 | 110 | 110 | 203 | 121 | 16 | 14 | 279 | 180 | 59 | 51,5 | 20 | 55 | 48 | 15 |
| АИР 180 M | 2 | 680 | 794 | 441 | 375 | 110 | 110 | 241 | 121 | 14 | 14 | 279 | 180 | 51,5 | 51,5 | 20 | 48 | 48 | 15 |
| | 4, 6, 8 | 680 | 794 | 441 | 375 | 110 | 110 | 241 | 121 | 16 | 14 | 279 | 180 | 59 | 51,5 | 20 | 55 | 48 | 15 |
| АИР 200 M | 2 | 735 | 850 | 495 | 410 | 110 | 110 | 267 | 133 | 16 | 16 | 318 | 200 | 59 | 59 | 25 | 55 | 55 | 19 |
| | 4, 6, 8 | 765 | 880 | 495 | 410 | 140 | 110 | 267 | 133 | 18 | 16 | 318 | 200 | 64 | 59 | 25 | 60 | 55 | 19 |
| АИР 200 L | 2 | 781 | 895 | 495 | 410 | 110 | 110 | 305 | 133 | 16 | 16 | 318 | 200 | 59 | 59 | 25 | 55 | 55 | 19 |
| | 4, 6, 8 | 811 | 925 | 495 | 410 | 140 | 110 | 305 | 133 | 18 | 16 | 318 | 200 | 64 | 59 | 25 | 60 | 55 | 19 |
| АИР 225 M | 2 | 835 | 952 | 540 | 460 | 110 | 110 | 311 | 149 | 16 | 16 | 356 | 225 | 59 | 59 | 30 | 55 | 55 | 19 |
| | 4, 6, 8 | 865 | 1012 | 540 | 460 | 140 | 140 | 311 | 149 | 18 | 18 | 356 | 225 | 69 | 64 | 30 | 65 | 60 | 19 |
| АИР 250 S | 2 | 935 | 1085 | 630 | 545 | 140 | 140 | 311 | 168 | 18 | 18 | 406 | 250 | 69 | 69 | 30 | 65 | 65 | 24 |
| | 4, 6, 8 | 935 | 1085 | 630 | 545 | 140 | 140 | 311 | 168 | 20 | 20 | 406 | 250 | 79,5 | 74,5 | 30 | 75 | 70 | 24 |
| АИР 250 M | 2 | 965 | 1115 | 630 | 545 | 140 | 140 | 349 | 168 | 18 | 18 | 406 | 250 | 69 | 69 | 30 | 65 | 65 | 24 |
| | 4, 6 | 965 | 1115 | 630 | 545 | 140 | 140 | 349 | 168 | 20 | 20 | 406 | 250 | 79,5 | 74,5 | 30 | 75 | 70 | 24 |
| АИР 280 S | 2 | 1080 | 1230 | 660 | 620 | 140 | 140 | 368 | 190 | 20 | 18 | 457 | 280 | 74,5 | 69 | 30 | 70 | 65 | 24 |
| | 4, 6, 8 | 1110 | 1260 | 660 | 620 | 170 | 140 | 368 | 190 | 22 | 18 | 457 | 280 | 85 | 69 | 30 | 80 | 65 | 24 |
| АИР 280 M | 2 | 1080 | 1230 | 660 | 620 | 140 | 140 | 419 | 190 | 20 | 18 | 457 | 280 | 74,5 | 69 | 30 | 70 | 65 | 24 |
| | 4, 6, 8 | 1110 | 1260 | 660 | 620 | 170 | 140 | 419 | 190 | 22 | 18 | 457 | 280 | 85 | 69 | 30 | 80 | 65 | 24 |
| АИР 315 S | 2 | 1160 | 1310 | 815 | 680 | 140 | 140 | 406 | 216 | 20 | 18 | 508 | 315 | 79,5 | 69 | 40 | 75 | 65 | 28 |
| | 4 | 1290 | 1440 | 815 | 680 | 170 | 140 | 406 | 216 | 25 | 18 | 508 | 315 | 95 | 69 | 40 | 90 | 65 | 28 |
| | 6, 8 | 1190 | 1340 | 815 | 680 | 170 | 140 | 406 | 216 | 25 | 18 | 508 | 315 | 95 | 69 | 40 | 90 | 65 | 28 |
| АИР 315 M | 2 | 1260 | 1410 | 815 | 680 | 140 | 140 | 457 | 216 | 20 | 18 | 508 | 315 | 79,5 | 69 | 40 | 75 | 65 | 28 |
| | 4 | 1290 | 1440 | 815 | 680 | 170 | 140 | 457 | 216 | 25 | 18 | 508 | 315 | 95 | 69 | 40 | 90 | 65 | 28 |
| | 6, 8 | 1190 | 1340 | 815 | 680 | 170 | 140 | 457 | 216 | 25 | 18 | 508 | 315 | 95 | 69 | 40 | 90 | 65 | 28 |
| АИР 355 S | 2 | 1556 | | 1010 | 735 | 170 | | 500 | 254 | 22 | | 610 | 355 | 90 | | 52 | 85 | | 28 |
| | 4, 6, 8 | 1570 | | 1010 | 735 | 210 | | 500 | 254 | 28 | | 610 | 355 | 106 | | 52 | 100 | | 28 |
| АИР 355 M | 2 | 1556 | | 1010 | 735 | 170 | | 560 | 254 | 22 | | 610 | 355 | 90 | | 52 | 85 | | 28 |
| | 4, 6, 8 | 1570 | | 1010 | 735 | 210 | | 560 | 254 | 28 | | 610 | 355 | 106 | | 52 | 100 | | 28 |

Монтажное исполнение IM 2...1, 2...2



Габаритные, установочные и присоединительные размеры двигателей основного исполнения (продолжение)

| Тип | Число полюсов | $h1$ | $h2$ | $d20$ | $d20$ | $d22$ | $d22$ | $d24$ | $d24$ | $d25$ | $d25$ | $l20$ | $l20$ | $l21$ |
|-----------|---------------|------|------|-------|-------|-------|-------|-------|-------|-------|-------|-------|-------|-------|
| | | GD | GF | M | M | S | S | P | P | N | N | T | T | |
| АИР 50 | 2, 4 | 3 | | 100 | | 7 | | 120 | | 80 | | 3 | | 8 |
| АИР 56 | 2, 4 | 4 | 4 | 115 | 85 | 10 | M6 | 140 | 99 | 95 | 70 | 3 | 2,5 | 10 |
| | | | | | 65 | | M5 | | 80 | | 50 | | 2,5 | |
| АИР 63 | 2, 4 | 5 | 5 | 130 | 100 | 10 | M6 | 160 | 110 | 110 | 80 | 3,5 | 3 | 10 |
| | | | | | 75 | | M5 | | 90 | | 60 | | 2,5 | |
| АИР 71 | 2, 4, 6 | 6 | 6 | 165 | 115 | 12 | M8 | 200 | 140 | 130 | 95 | 3,5 | 3 | 10 |
| | | | | | 85 | | M6 | | 105 | | 70 | | 2,5 | |
| АИР 80 А | 2, 4, 6, 8 | 6 | 6 | 165 | 100 | 12 | M6 | 200 | 120 | 130 | 80 | 3,5 | 3 | 10 |
| АИР 80 В | 2, 4, 6, 8 | 6 | 6 | 165 | 100 | 12 | M6 | 200 | 120 | 130 | 80 | 3,5 | 3 | 10 |
| АИР 90 L | 2, 4, 6, 8 | 7 | 7 | 215 | 130 | 15 | M8 | 250 | 160 | 180 | 110 | 4 | 3,5 | 12 |
| | | | | | 115 | | M8 | | 140 | | 95 | | 3 | |
| АИР 100 S | 2, 4 | 7 | 7 | 215 | 130 | 15 | M8 | 250 | 160 | 180 | 110 | 4 | 3,5 | 14 |
| АИР 100 L | 2, 4, 6, 8 | 7 | 7 | 215 | 130 | 15 | M8 | 250 | 160 | 180 | 110 | 4 | 3,5 | 14 |
| АИР 112 | 2, 4, 6, 8 | 8 | 8 | 265 | | 15 | | 300 | | 230 | | 5 | | 17 |
| АИР 132 S | 4, 6, 8 | 8 | 8 | 300 | | 19 | | 350 | | 250 | | 5 | | 19 |
| АИР 132 M | 2, 4, 6, 8 | 8 | 8 | 300 | | 19 | | 350 | | 250 | | 5 | | 19 |
| АИР 160 S | 2 | 8 | 8 | 300 | | 19 | | 350 | | 250 | | 5 | | 13 |
| | 4, 6, 8 | 9 | 8 | 300 | | 19 | | 350 | | 250 | | 5 | | 13 |
| АИР 160 M | 2 | 8 | 8 | 300 | | 19 | | 350 | | 250 | | 5 | | 13 |
| | 4, 6, 8 | 9 | 8 | 300 | | 19 | | 350 | | 250 | | 5 | | 13 |
| АИР 180 S | 2 | 9 | 9 | 350 | | 19 | | 400 | | 300 | | 5 | | 15 |
| | 4 | 10 | 9 | 350 | | 19 | | 400 | | 300 | | 5 | | 15 |
| АИР 180 M | 2 | 9 | 9 | 350 | | 19 | | 400 | | 300 | | 5 | | 15 |
| | 4, 6, 8 | 10 | 9 | 350 | | 19 | | 400 | | 300 | | 5 | | 15 |
| АИР 200 M | 2 | 10 | 10 | 400 | | 19 | | 450 | | 350 | | 5 | | 16 |
| | 4, 6, 8 | 11 | 10 | 400 | | 19 | | 450 | | 350 | | 5 | | 16 |
| АИР 200 L | 2 | 10 | 10 | 400 | | 19 | | 450 | | 350 | | 5 | | 16 |
| | 4, 6, 8 | 11 | 10 | 400 | | 19 | | 450 | | 350 | | 5 | | 16 |
| АИР 225 M | 2 | 10 | 10 | 500 | | 19 | | 550 | | 450 | | 5 | | 22 |
| | 4, 6, 8 | 11 | 11 | 500 | | 19 | | 550 | | 450 | | 5 | | 22 |
| АИР 250 S | 2 | 11 | 11 | 500 | | 19 | | 550 | | 450 | | 5 | | 18 |
| | 4, 6, 8 | 12 | 12 | 500 | | 19 | | 550 | | 450 | | 5 | | 18 |
| АИР 250 M | 2 | 11 | 11 | 500 | | 19 | | 550 | | 450 | | 5 | | 18 |
| | 4, 6 | 12 | 12 | 500 | | 19 | | 550 | | 450 | | 5 | | 18 |
| | 8 | 12 | 12 | 500 | | 19 | | 550 | | 450 | | 5 | | 18 |
| АИР 280 S | 2 | 12 | 11 | 600 | | 24 | | 660 | | 550 | | 6 | | 22 |
| | 4, 6, 8 | 14 | 11 | 600 | | 24 | | 660 | | 550 | | 6 | | 22 |
| АИР 280 M | 2 | 12 | 11 | 600 | | 24 | | 660 | | 550 | | 6 | | 22 |
| | 4, 6, 8 | 14 | 11 | 600 | | 24 | | 660 | | 550 | | 6 | | 22 |
| АИР 315 S | 2 | 12 | 11 | 600 | | 24 | | 660 | | 550 | | 6 | | 22 |
| | 4 | 14 | 11 | 600 | | 24 | | 660 | | 550 | | 6 | | 22 |
| | 6, 8 | 14 | 11 | 600 | | 24 | | 660 | | 550 | | 6 | | 22 |
| АИР 315 M | 2 | 12 | 11 | 600 | | 24 | | 660 | | 550 | | 6 | | 22 |
| | 4 | 14 | 11 | 600 | | 24 | | 660 | | 550 | | 6 | | 22 |
| АИР 355 S | 2 | 14 | | 740 | | 24 | | 800 | | 680 | | 6 | | 25 |
| | 4, 6, 8 | 16 | | 740 | | 24 | | 800 | | 680 | | 6 | | 25 |
| АИР 355 M | 2 | 14 | | 740 | | 24 | | 800 | | 680 | | 6 | | 25 |
| | 4, 6, 8 | 16 | | 740 | | 24 | | 800 | | 680 | | 6 | | 25 |